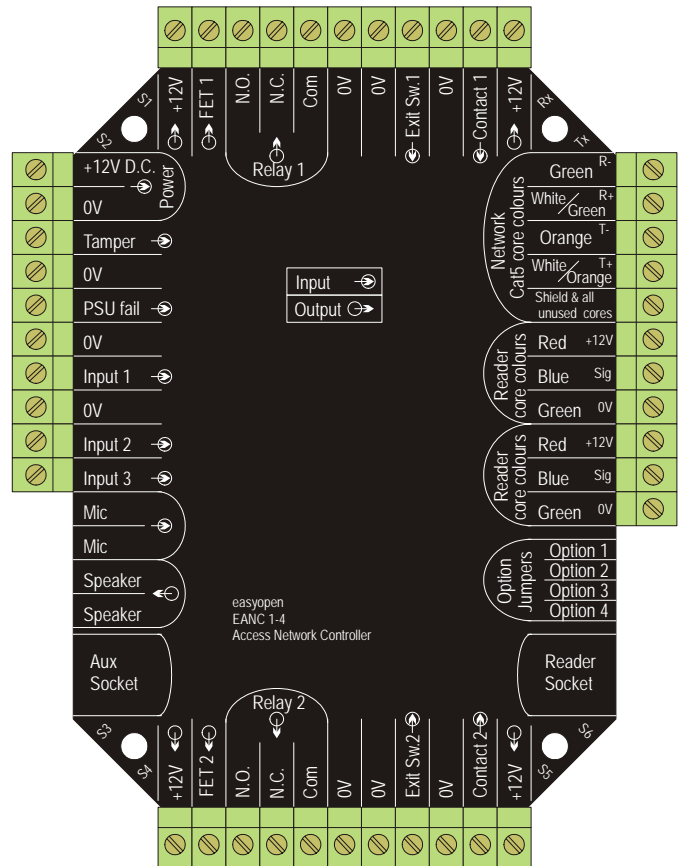


The Taylor EasyOpen system uses RFID proximity technology to authorise access to doors, windows, cabinets, enclosures, safes, etc.

Simply holding an authorised ProxTag close to the reader is all that is necessary to gain access.

There are no external components to jam, or be vandalised, or attract unwanted attention. The combined reader and controller is housed in an attractive architectural brushed aluminium surface case and brushed stainless faceplate with dead-front lens, and is mounted on the secure side of the door. Only the antenna is mounted outside the door.



5000 user capacity

Support for 4 doors and 16 readers

Simple RS485 network to PC

Windows software included. Supports system maintenance, access logging, real-time monitoring, fire roll call by muster station, global anti-passback, etc.

*ProxTags* are available as keyfobs and credit-cards

*ProxTags* are read and identified within a proximity of up to 100mm, no physical contact with the reader is necessary

The identification time is a fraction of a second, so access is virtually instantaneous

*ProxTags* can be programmed into multiple locks, providing just one 'key' for all secure access needs

Unlike conventional keys, lost *ProxTags* can simply be erased from the system, eliminating the need to replace the lock.

Attractive low profile reader with brushed stainless effect finish

Reader can be surface mounted, flush mounted, or recessed to give a completely vandal-proof installation

*EasyOpen* can operate through glass, giving the option of mounting the reader on the inside of a window or glass door

Both relay and FET outputs are provided on the controller

Compatible with most types of release – magnetic, electric, solenoid, etc.

Input connections for egress button, door contact, power supply failure, case tamper

'Touch to exit' unit available: this is a touch and proximity sensitive plate with brushed stainless finish

Unlock time – configurable

Compatible with the Taylor 500 Electric Mortice Lock